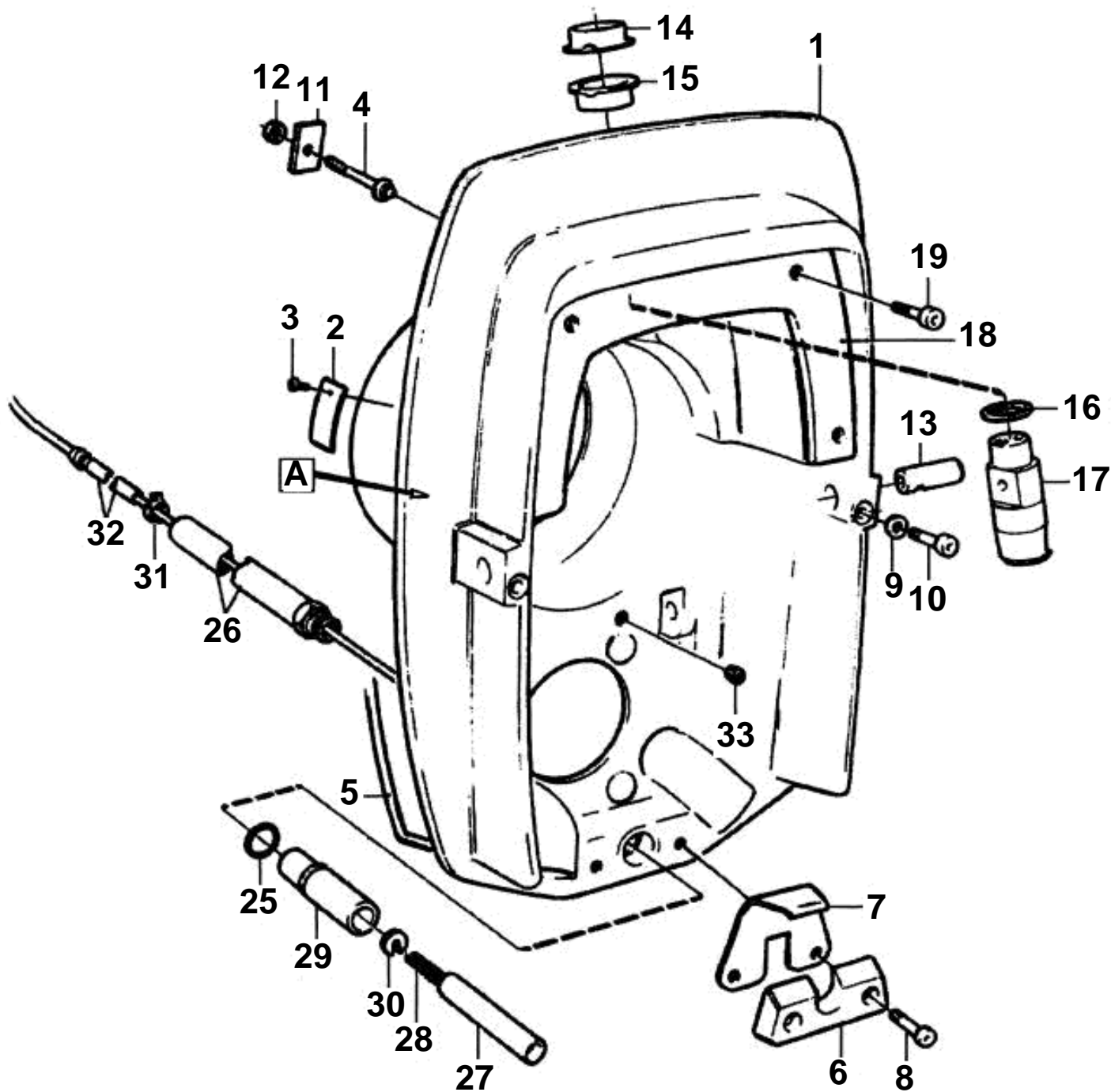
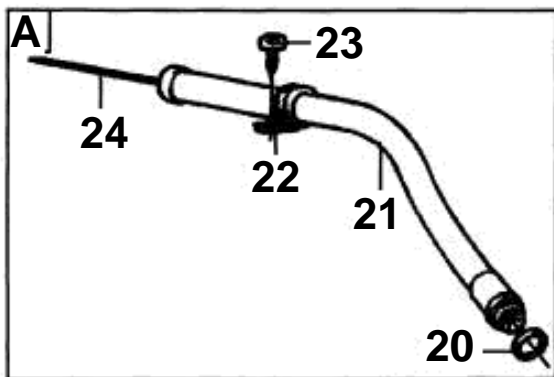


DPX-TRANSOM SHIELD WITH MOUNTING COMPONENTS



DPX-TRANSOM SHIELD WITH MOUNTING COMPONENTS

REF	PART NO.	QTY	DESCRIPTION
1	872662	1	Shield
2	853706	1	· Type plate
3	804269	2	· Drive screw
4	873316	6	Stud
5	852868	X	Sealing strip, L=1750 mm
6	872139	1	Zinc anod
7	872963	1	Support plate
8	946541	2	Screw
9	941670	2	Washer
10	963699	2	Screw
11	852866	6	Washer
12	963108	6	Nut
13	872493	2	Pin
14	854705	1	Bushing
15	854704	1	Bushing
16	977313	1	Sealing ring
17	872956	1	Grommet
18	872971	1	Protection
19	873188	4	Screw
20	897745	1	Gasket
21	839091	1	Hose
22	952635	1	Clamp
23	955512	1	Screw
24		X	CONTROL CABLE
25	3850677	1	
26	872669	1	Protecting hose
27	872667	1	Piston
28	872668	1	Spring
29	873246	1	Pipe
30	872962	1	Washer
31	961662	1	Clamp
32		X	CONTROL CABLE
33	853215	1	Plug